

URMDF

Rear suspension package Ensemble pour suspension arrière Ensemble para suspensión de trasero

INSTALLATION INSTRUCTIONS

- Raise vehicle allowing the axle to hang freely.
- Remove existing bump stop assembly.
- Assemble Aeon rubber spring and bracket as shown in the adjacent diagram.
- Mount Timbren assembly to axle using Timbren supplied fasteners as shown in the adjacent diagram.
- Lower vehicle.

NOTES:

Check that brake line or brake cable locations do not interfere with Aeon spring bracket.

INSTRUCTIONS DE MONTAGE

- Soulever le véhicule de sorte que l'essieu soit dégagé.
- Retirer l'assemblage de la butée de suspension existante.
- Assembler le ressort en caoutchouc Aeon et le support comme il est indiqué dans le schéma adjacent.
- Monter l'assemblage Timbren sur l'essieu en utilisant la boulonnerie fournie avec l'assemblage Timbren tel qu'indiqué dans le schéma adjacent.
- Redescendre le véhicule.

REMARQUES:

Vérifier que les emplacements de la conduite de frein et du câble de frein ne nuisent pas au support du ressort Aeon.

INSTRUCCIONES DE INSTALACIÓN

- Levante el vehículo dejando que los ejes cuelguen libremente.
- Retire la unidad del tope de suspensión existente.
- Ensamble el resorte de caucho Aeon y la abrazadera como se muestra en el diagrama adyacente.
- Monte la unidad Timbren sobre el eje utilizando los elementos de sujeción Timbren provistos como se muestra en el diagrama adyacente.
- Baje el vehículo.

NOTAS:

Verifique que la ubicación de la tubería de freno o del cable del freno no interfiera con la abrazadera del resorte Aeon.

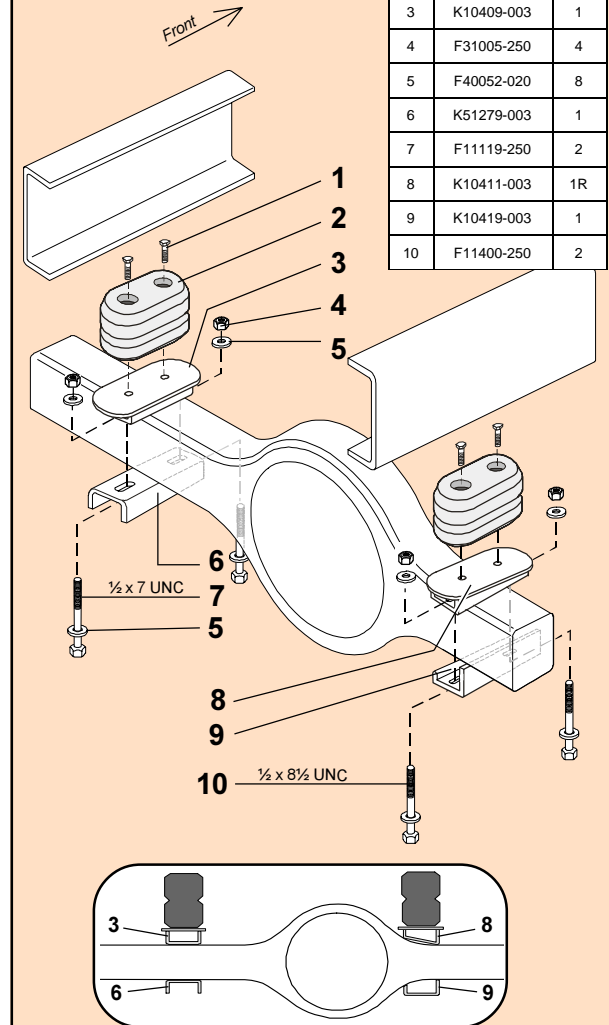
Do not exceed vehicle manufacturer's recommended axle weight rating. Check for AEON® interference with vehicle components - Under load AEON® will "expand" in diameter.

Ne pas dépasser le poids nominal sur l'essieu recommandé par le fabricant du véhicule. Vérifier que le ressort AEON® n'a pas d'incidence sur d'autres pièces du véhicule - Le ressort AEON® augmentera son diamètre avec la charge.

No exceda la carga nominal en el eje recomendada por el fabricante del vehículo. Compruebe que no haya interferencia entre el resorte AEON® y los otros componentes del vehículo. Bajo carga, el resorte AEON® se ampliará en diámetro.

Ref. = Reference = No. de référence = Núm. de referencia
Part = Part #. = No. de pièce = Núm. de pieza
Qty. = Quantity = Quantité = Cantidad

Ref	Part	Qty
1	F11064-250	4
2	A00200-65Q30	2
3	K10409-003	1
4	F31005-250	4
5	F40052-020	8
6	K51279-003	1
7	F11119-250	2
8	K10411-003	1R
9	K10419-003	1
10	F11400-250	2



URMDF



URMDF

TIMBREN INDUSTRIES INC.

www.timbren.com

PART NUMBER	DESCRIPTION	QTY	LOCATION
F31005-250	NYLOCK LOCKNUT 1/2 UNC GR 5 Z	4	G1B
F40052-020	WASHER FLAT USS 1/2 x 1-3/8 GR 2 Z	8	G1D
F11119-250	HCS 1/2 x 7 UNC GR 5 Z	2	G3A
F11400-250	HCS 1/2 x 8-1/2 UNC GR 5 Z	2	G3A
F11064-250	HCS 3/8 x 1-3/4 UNC GR 5 Z	4	G3D

A00200-65Q30	Hollow Rubber Spring	2	C17B
--------------	----------------------	---	------

K10411RH-003	URMDF / URMDR WELDMENT LH PAINTED	1	D5D
K10409-003	URMDE/ URMDF/ URMDR WELD. PAINTED	1	D5D
K10419-003	URMDF / URMDR WELDMENT PAINTED	1	D5E
K51279-003	CHANNEL 1-1/2 x 3 x 7 x 3/8 PAINTED	1	D5E

B90223	10-3/4 x 9-1/2 x 7 DW Carton	1	A1A
B10100	NEWSPRINT 18" ROLL	1	
B00029-010	BARCODE LABEL FOR KIT	1	

Issued: 11/25/2005

Clearance Instructions:

Rear SES Kits for Pick-Ups and Vans should have a 1/2" to 1-1/2" gap between the rubber spring and contact point when empty.

A partial load, or vehicle accessories will reduce or eliminate the gap.

Front SES kits are usually in full contact.

Medium and Heavy-Duty Trucks, Trailers and Motorhomes will be in constant contact, and have no gap.

Lifetime Warranty:

Timbren SES Kits are warranted against defects in material and workmanship, under normal use and service, for the life of the vehicle on which the kit was originally installed. The warranty is not transferable and proof of purchase is required. The warranty is limited to the replacement of the failed part.

TIMBREN will not be responsible for any labour or freight charges involved in the replacement of any product. TIMBREN shall be entitled to make its own inspection to determine the validity of the claim. TIMBREN shall not be liable nor warranty the product in the event of alteration, misuse, overload, negligence or damage caused by others.

If ride or performance of our product is unsatisfactory in any way, please call: 1-800-263-3113 or email sales@timbren.com

ASSEMBLY NOTES:

APPLY 'LEFT' LABELS TO K10409 & K51279 BRACKETS.

NOTE: PACKAGE F11119-250 & F11400-250 BOLTS LOOSE IN BOX.